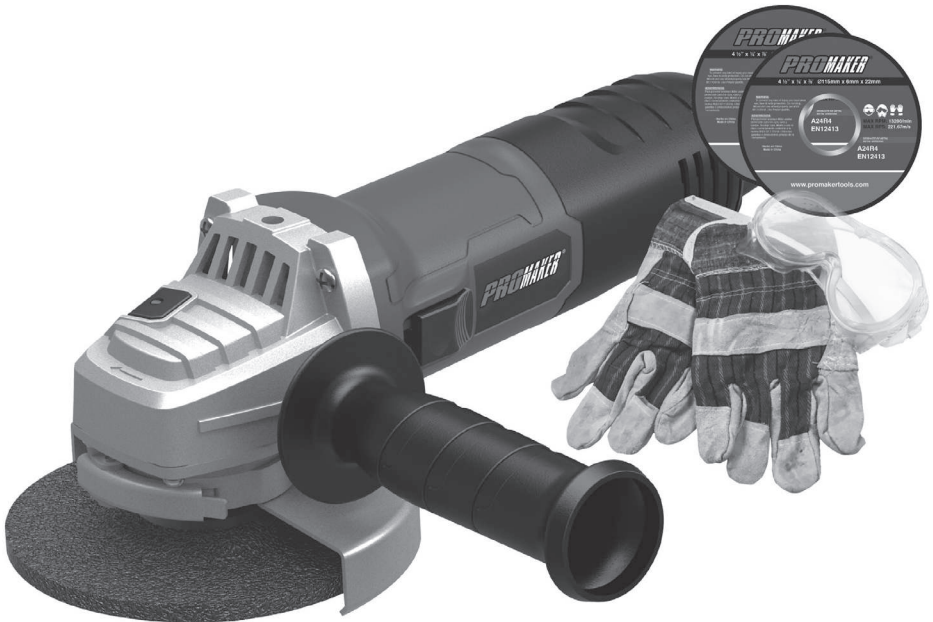


PROMAKER[®]



WARRANTY SYSTEM
PX2

WARRANTY X2 YEARS
FREE SERVICE X2 YEARS
TRIAL PERIOD X2 MONTHS

English: 2 | Español: 18

Angle Grinder
User's Manual
Model No.: **PRO-ES750KIT**

1. Warning Symbols



WARNING - To reduce the risk of injury, user must read instruction manual



WARNING - Always wear eye protection



Wear ear protection



Class II tool

2. General Safety Instructions



WARNING! Read all safety warnings and all instructions. Failure to follow the warnings and instructions may result in electric shock, fire and/or serious injury.

Save all warnings and instructions for future reference.

The term “power tool” in the warnings refers to your mains-operated (corded) power tool or battery-operated (cordless) power tool.

1) Work area safety

a) Keep work area clean and well lit. Cluttered and dark areas invite accidents.

b) Do not operate power tools in explosive atmospheres, such as in the presence of flammable

liquids, gases or dust. Power tools create sparks which may ignite the dust or fumes.

c) Keep children and bystanders away while operating a power tool. Distractions can cause you to lose control.

2) Electrical safety

a) Power tool plugs must match the outlet. Never modify the plug in any way. Do not use any adapter plugs with earthed (grounded) power tools. Unmodified plugs and matching outlets will reduce risk of electric shock.

b) Avoid body contact with earthed or grounded surfaces such as pipes, radiators, ranges and refrigerators. There is an increased risk of electric shock if your body is earthed or grounded.

c) Do not expose power tools to rain or wet conditions. Water entering a power tool will increase the risk of electric shock.

d) Do not abuse the cord. Never use the cord for carrying, pulling or unplugging the power tool. Keep cord away from heat, oil, sharp edges or moving parts. Damaged or entangled cords increase the risk of electric shock.

e) When operating a power tool outdoors, use an extension cord

suitable for outdoor use. Use of a cord suitable for outdoor use reduces the risk of electric shock.

f) If operating a power tool in a damp location is unavoidable, use a residual current device (RCD) protected supply. Use of an RCD reduces the risk of electric shock.

3) Personal safety

a) Stay alert, watch what you are doing and use common sense when operating a power tool. Do not use a power tool while you are tired or under the influence of drugs, alcohol or medication. A moment of inattention while operating power tools may result in serious personal injury.

b) Use personal protective equipment. Always wear eye protection. Protective equipment such as dust mask, non-skid safety shoes, hard hat, or hearing protection used for appropriate conditions will reduce personal injuries.

c) Prevent unintentional starting. Ensure the switch is in the off-position before connecting to power source and/or battery pack, picking up or carrying the tool. Carrying power tools with your finger on the switch or energising power tools that have the switch on invites accidents

d) Remove any adjusting key or wrench before turning the power tool on. A wrench or a key left attached to a rotating part of the power tool may result in personal injury.

e) Do not overreach. Keep proper footing and balance at all times. This enables better control of the power tool in unexpected situations.

f) Dress properly. Do not wear loose clothing or jewellery. Keep your hair, clothing and gloves away from moving parts. Loose clothes, jewellery or long hair can be caught in moving parts.

g) If devices are provided for the connection of dust extraction and collection facilities, ensure these are connected and properly used. Use of dust collection can reduce dust-related hazards.

4) Power tool use and care

a) Do not force the power tool. Use the correct power tool for your application. The correct power tool will do the job better and safer at the rate for which it was designed.

b) Do not use the power tool if the switch does not turn it on and off. Any power tool that cannot be controlled with the switch is dangerous and must be repaired.

c) Disconnect the plug from the power source and/or the battery pack from the power tool before making any adjustments, changing accessories, or storing power tools. Such preventive safety measures reduce the risk of starting the power tool accidentally.

d) Store idle power tools out of the reach of children and do not allow persons unfamiliar with the power tool or these instructions to operate the power tool. Power tools are dangerous in the hands of untrained users.

e) Maintain power tools. Check for misalignment or binding of moving parts, breakage of parts and any other condition that may affect the power tool's operation. If damaged, have the power tool repaired before use. Many accidents are caused by poorly maintained power tools.

f) Keep cutting tools sharp and clean. Properly maintained cutting tools with sharp cutting edges are less likely to bind and are easier to control.

g) Use the power tool, accessories and tool bits etc. in accordance with these instructions, taking into account the working conditions and the work to be performed. Use of the power tool for operations different from those

intended could result in a hazardous situation.

5) Service

Have your power tool serviced by a qualified repair person using only identical replacement parts. This will ensure that the safety of the power tool is maintained.

Safety Warnings Common for Grinding Operations:

a) This power tool is intended to function as a grinder or cut-off tool. Read all safety warnings, instructions, illustrations and specifications provided with this power tool. Failure to follow all instructions listed below may result in electric shock, fire and/or serious injury.

b) Operations such as sanding, wire brushing, polishing are not recommended to be performed with this power tool. Operations for which the power tool was not designed may create a hazard and cause personal injury.

c) Do not use accessories which are not specifically designed and recommended by the tool manufacturer. Just because the accessory can be attached to your power tool, it does not assure safe operation.

d) The rated speed of the

accessory must be at least equal to the maximum speed marked on the power tool. Accessories running faster than their rated speed can break and fly apart.

e) The outside diameter and the thickness of your accessory must be within the capacity rating of your power tool. Incorrectly sized accessories cannot be adequately guarded or controlled.

f) Threaded mounting of accessories must match the grinder spindle thread. For accessories mounted by flanges, the arbour hole of the accessory must fit the locating diameter of the flange. Accessories that do not match the mounting hardware of the power tool will run out of balance, vibrate excessively and may cause loss of control.

g) Do not use a damaged accessory. Before each use inspect the accessory such as abrasive wheels for chips and cracks, backing pad for cracks, tear or excess wear, wire brush for loose or cracked wires. If power tool or accessory is dropped, inspect for damage or install an undamaged accessory. After inspecting and installing an accessory, position yourself and bystanders away from the plane of the rotating accessory and run the power tool at maximum no-load speed for one minute.

Damaged accessories will normally break apart during this test time.

h) Wear personal protective equipment. Depending on application, use face shield, safety goggles or safety glasses. As appropriate, wear dust mask, hearing protectors, gloves and workshop apron capable of stopping small abrasive or workpiece fragments. The eye protection must be capable of stopping flying debris generated by various operations. The dust mask or respirator must be capable of filtering particles generated by your operation. Prolonged exposure to high intensity noise may cause hearing loss.

i) Keep bystanders a safe distance away from work area. Anyone entering the work area must wear personal protective equipment. Fragments of workpiece or of a broken accessory may fly away and cause injury beyond immediate area of operation.

j) Hold power tool by insulated gripping surfaces only, when performing an operation where the cutting accessory may contact hidden wiring or its own cord. Cutting accessory contacting a “live” wire may make exposed metal parts of the power tool “live” and could give the operator an electric shock.

k) Position the cord clear of the spinning accessory. If you lose control, the cord may be cut or snagged and your hand or arm may be pulled into the spinning accessory.

l) Never lay the power tool down until the accessory has come to a complete stop. The spinning accessory may grab the surface and pull the power tool out of your control.

m) Do not run the power tool while carrying it at your side. Accidental contact with the spinning accessory could snag your clothing, pulling the accessory into your body.

n) Regularly clean the power tool's air vents. The motor's fan will draw the dust inside the housing and excessive accumulation of powdered metal may cause electrical hazards.

o) Do not operate the power tool near flammable materials. Sparks could ignite these materials.

p) Do not use accessories that require liquid coolants. Using water or other liquid coolants may result in electrocution or shock.

Kickback and Related Warnings

Kickback is a sudden reaction to a pinched or snagged rotating wheel, backing pad, brush or any other

accessory. Pinching or snagging causes rapid stalling of the rotating accessory which in turn causes the uncontrolled power tool to be forced in the direction opposite of the accessory's rotation at the point of the binding.

For example, if an abrasive wheel is snagged or pinched by the workpiece, the edge of the wheel that is entering into the pinch point can dig into the surface of the material causing the wheel to climb out or kick out. The wheel may either jump toward or away from the operator, depending on direction of the wheel's movement at the point of pinching. Abrasive wheels may also break under these conditions.

Kickback is the result of power tool misuse and/or incorrect operating procedures or conditions and can be avoided by taking proper precautions as given below.

a) Maintain a firm grip on the power tool and position your body and arm to allow you to resist kickback forces. Always use auxiliary handle, if provided, for maximum control over kickback or torque reaction during start-up. The operator can control torque reactions or kickback forces, if proper precautions are taken.

b) Never place your hand near the rotating accessory. Accessory may kickback over your hand.

c) Do not position your body in the

area where power tool will move if kickback occurs. Kickback will propel the tool in direction opposite to the wheel's movement at the point of snagging.

d) Use special care when working corners, sharp edges etc. Avoid bouncing and snagging the accessory. Corners, sharp edges or bouncing have a tendency to snag the rotating accessory and cause loss of control or kickback.

e) Do not attach a saw chain woodcarving blade or toothed saw blade. Such blades create frequent kickback and loss of control.

Safety Warnings Specific for Grinding and cutting-off Operations:

a) Use only wheel types that are recommended for your power tool and the specific guard designed for the selected wheel. Wheels for which the power tool was not designed cannot be adequately guarded and are unsafe.

b) The grinding surface of centre depressed wheels must be mounted below the plane of the guard lip. An improperly mounted wheel that projects through the plane of the guard lip cannot be adequately protected.

c) The guard must be securely

attached to the power tool and positioned for maximum safety, so the least amount of wheel is exposed towards the operator. The guard helps to protect operator from broken wheel fragments and accidental contact with wheel and sparks that could ignite clothing.

d) Wheels must be used only for recommended applications. For example: do not grind with the side of cut-off wheel. Abrasive cut-off wheels are intended for peripheral grinding, side forces applied to these wheels may cause them to shatter.

e) Always use undamaged wheel flanges that are of correct size and shape for your selected wheel. Proper wheel flanges support the wheel thus reducing the possibility of wheel breakage. Flanges for cut-off wheels may be different from grinding wheel flanges.

f) Do not use worn down wheels from larger power tools. Wheel intended for larger power tool is not suitable for the higher speed of a smaller tool and may burst.

3. Specific Safety Rules

- Check that speed marked on the wheel is equal to or greater than the rated speed of the grinder.

- Ensure that the wheel dimensions are compatible with the grinder.

- Abrasive wheels shall be stored and handled with care in accordance with manufacturer's instructions.
- Inspect the grinding wheel before use, do not use chipped, cracked or otherwise defective products.
- Ensure that mounted wheels and points are fitted in accordance with the manufacturer's instructions.
- Ensure that blotters are used when they are provided with the bonded abrasive product and when they are required.
- Ensure that the abrasive product is correctly mounted and tightened before use and run the tool at no-load for 30 s in a safe position, stop immediately if there is considerable vibration or if other defects are detected. If this condition occurs, check the machine to determine the cause.
- Do not use separate reducing bushings or adapters to adapt large hole abrasive wheels.
- For tools intended to be fitted with threaded hole wheel, ensure that the thread in the wheel is long enough to accept the spindle length.
- Check that the work piece is properly supported.
- Do not use cutting off wheel for side grinding.
- Ensure that sparks resulting from use do not create a hazard e.g. do not hit persons, or ignite flammable substances.
- Ensure that ventilation openings are kept clear when working in dusty conditions. If it should become necessary to clear dust, first disconnect the tool from the mains supply (use non metallic objects) and avoid damaging internal parts.
- Always use eye and ear protection. Other personal protective equipment such as dust mask, gloves, helmet and apron should be worn.
- The wheel continues to rotate after the tool is switched off.
- Never use the tool without the guard in place, the wheel guard must be fitted on the tool so that the closed side of the guard always points toward the operator.

4. Environmental Protection



CAUTION! This product has been marked with a symbol relating to removing electric and electronic waste. This means that this product shall not be discarded with household waste but that it shall be returned to a collection system which conforms to the European WEEE Directive. Contact your local authorities or stocks for advice on recycling. It

will then be recycled or dismantled in order to reduce the impact on the environment. Electric and electronic equipment can be hazardous for the environment and for human health since they contain hazardous substances.

5. Tool Specifications

TECHNICAL CHARACTERISTICS	
Voltage / Frequency	120V / 60Hz
Power	750W
Speed	11000rpm
Cord	2m
Weight	4.4Lbs
Grinding Disc Diameter	4½" (115mm)

The declared vibration total value has been measured in accordance with a standard test method and may be used for comparing one tool with another;

The declared vibration total value may also be used in a preliminary assessment of exposure.

Warning!: the vibration emission during actual use of the power tool can differ from the declared total value depending on the ways in which the tool is used”.

Warning!: avoid vibration risk

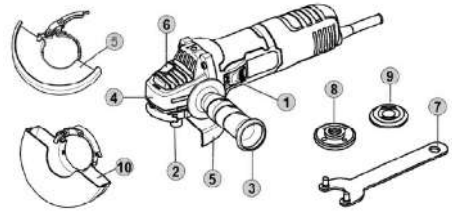
Suggestions:

1) wear glove during operation;

2) limit operating time and shorten trigger time.

6. Operation / Assembly / Drawing

Overview



1. Switch
2. Drive shaft
3. Side handle
4. Gear box
5. Protective cover (grinding)
6. Lock button
7. Spanner
8. External flange with thread
9. Internal flange
10. Protective cover (Cutting)

Mounting the Side Handle

The side handle can be fitted to the left, right of the unit. Select the position which gives the most comfortable and safe use.

CAUTION:

Always be sure that the side grip is installed securely before operation. During operation, keep one hand on the rear handle and the other on the side handle.

Installing or moving protective cover

WARNING: Ensure the angle grinder is switch off and unplugged from the mains.

Depending on whether your operation is cutting or grinding, select the correct protective cover. Failure to use the right cover for operation could result in injury.

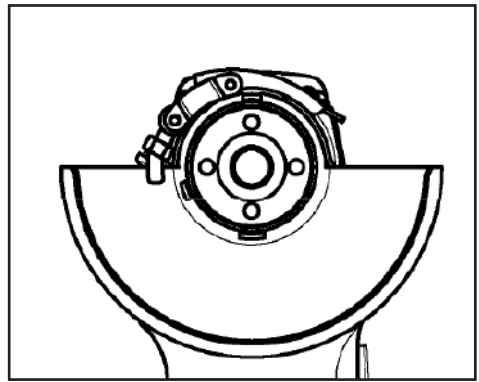
When using a grinding or cutting-off wheel, the protective guard must be fitted on the tool so that the closed side of the cover always points toward the operator.

Install the guard: release the lock lever of the guard and insert it on the gear head, and turn/adjust in any desired position for maximum performance, then close the lock lever.

Make sure that the fastening lever is properly locked after setting the guard.

To remove the protective cover, follow the installation procedure in reverse.

The protective cover can be turned to a desired angle, but not more than 45° on left side or right side.



CAUTION:

Please use Protective Cover for grinding operation.

Please use Protective Cover for cutting-off operation.

Grinding and Surface Processing

In order to grind surface, you should use a coarse abrasive disk with a sunken centre.

You can use the abrasive disks with diameter of 115mm. The maximum thickness of disks is 6mm.

Cutting metal

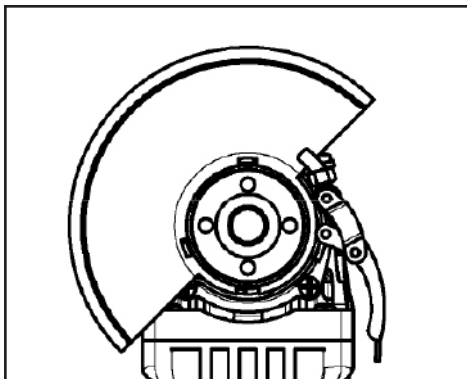
In order to cut rods, tubes and metal parts you should use a cutting-off wheels with diameter of 115mm. The maximum thickness of wheels in this case is 3mm.

Cutting Stone Material

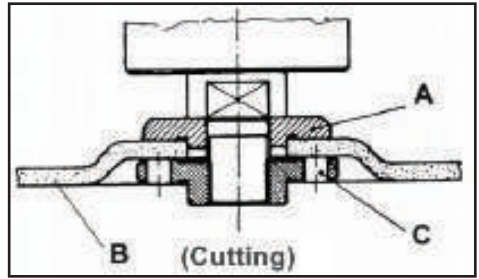
When cutting stone material you should use the cutting-off wheels with diameter of 115mm. The maximum thickness of wheels in this case is 3mm.

Please use proper wheels to work. Failure to use the right cover for operation could result in injury.

WARNING! Cutting operations with



abrasive cutting-off wheels are only allowed when a cut-off guard. Always approach the job at the same angle at which you would like to cut. Maintain this angle during cutting and do not exert any side pressure on the wheel.



Mounting the Wheels /Disks

Place the back flange A over the spindle making sure that it fits tight. Place the grinding or cutting disc B on the top of the back flange, ensuring the bore fits into the step of the flange.

Mount the concave recess side of the external flange C over the spindle.

Press the spindle lock button to lock the spindle firmly, then tighten the external flange with the spanner in clockwise direction.

Allow the angle grinder to run in idle at least 1 minute with the grinding or cutting disc correctly assembled, a vibration disc should be immediately replaced.

Operating instructions / Drawings

Switch ON/OFF

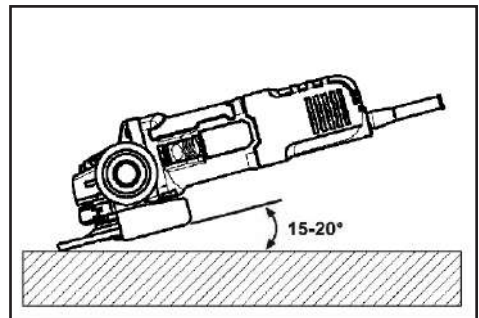
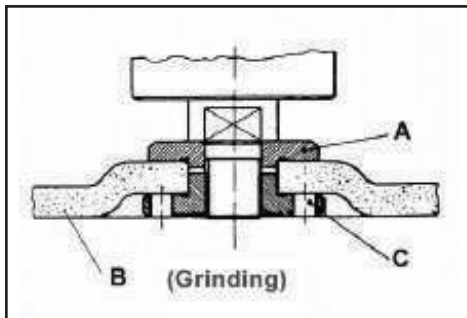
Switch on: Push the main Switch forwards to turn on the machine. Then depress the main switch to lock it in position for continuous operation.

Switch off: Press the main switch at the rear end to release the locking and turn off the machine.

WARNING: Do not cover exhaust vents when the tool is in use. This may cause damage to the motor and reduce the efficiency of the tool.

Abrasive operation

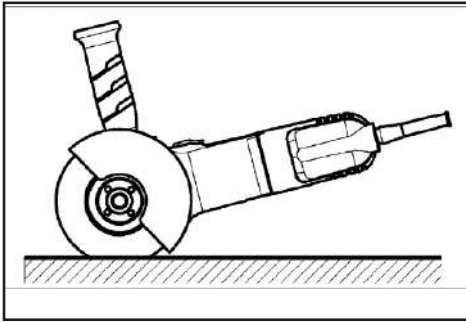
When equipped with abrasive wheel and guard, for the best work results hold the grinder at 15~20° to the work piece.



Cutting-off operation

When equipped with cutting-off wheel and guard, hold the grinder at 90° to the work piece for the best work results.

Guide back and forth over the work piece in a steady motion.



Overload

The motor of your right angle grinding machine may be damaged when overloaded. This results from excessive working pressure over a prolonged period. Therefore you should not try to accelerate your working speed by increasing pressure on your machine. The abrasive disks work more efficiently if only slight pressure is exerted on the grinding machine, thus avoiding a drop in the grinding speed.

7. Maintenance / Cleaning

Always be sure that the tool is switched off and unplugged before attempting to perform inspection or maintenance.

If the carbon brushes need to be replaced, have this done by a qualified repair person (always replace the two brushes at the same time)

If the supply cable is damaged, it must be replaced by the manufacturer, its service agent or similarly qualified persons in order to avoid a hazard.

The tool and its air vents have to be kept clean. Regularly clean the tool's air vents or whenever the vents start to become obstructed.

8. Storage

Store the angle grinder in a dry place. Regularly inspect the disks / wheels, ensure that the disks / wheels is free of cracks and surface defects. Replace the disks / wheels when it has wore out.

Take care not to expose this tool to the rain.

9. Check the delivery parts

Carefully remove the tool from its packaging and check if the following parts are complete:

- 1 x Angle grinder
- 1 x Side handle
- 1 x cutting-off protective cover
- 1 x grinding protective cover
- 1 x spanner

10. Warranty

1. **PROMAKER®**, through its **PX2** warranty for power tools, has the following characteristics:

- It covers the products for **2 years** from the date of purchase against any defect in its operation, for faults in the materials or labor used in its manufacture.
- Provides **2 years** of free maintenance service and labor for replacement of consumables.
- Provides a trial period of **2 months** where you can exchange the tool for a higher capacity one if the original does not meet your requirement, by paying the difference in price.
- All the attributes offered by the warranty are valid presenting the original purchase invoice.

2. For warranty service, please contact the present the warranty card and the original invoice for the warranty service.

3. This Warranty **DOES NOT** applies for:

- Transportation damages after sales.
- Services not provided by our authorized service centers.
- Accessories and spare parts, if any, provided in the package.
- Damage resulted from commercial or industrial use, as this product is intended for DIY use only.

11. EC Declaration of Conformity

We hereby declare that the machine described below complies with the relevant basic safety Directives, both in its basic design and construction as well as in the version put into circulation by us. This declaration shall cease to be valid if the machine is modified without our prior approval.

Product: Angle Grinder

Type: PRO-ES750KIT



www.promakertools.com

PROMAKER®



SISTEMA DE GARANTÍA
PX2

GARANTÍA X2 AÑOS
SERVICIO GRATUITO X2 AÑOS
PERIODO DE PRUEBA X2 MESES

Esmerilador Angular
Manual del Usuario
Modelo No.: PRO-ES750KIT

1. Símbolos de advertencia



ADVERTENCIA - Para reducir el riesgo de lesiones, el usuario debe leer el manual de instrucciones



ADVERTENCIA - Use protección de oídos



Use gafas de protección



Herramienta Clase II

2. Instrucciones generales de seguridad



¡ADVERTENCIA! Lea todas las advertencias de seguridad y todas las instrucciones. De no seguir todas las advertencias e instrucciones puede dar lugar a descargas eléctricas, incendio y/o heridas graves.

Guarde todas las advertencias e instrucciones para referencia futura.

El término “herramienta eléctrica” en las advertencias, se refiere a su herramienta eléctrica (con cable) accionado por la red o herramienta eléctrica (inalámbrica) accionada por baterías.

1) Área de trabajo

a) Mantenga el área de trabajo limpia y bien iluminada. Las áreas desordenadas y oscuras provocan accidentes.

b) No utilice herramientas eléctricas

en atmósferas explosivas, así como en presencia de líquidos inflamables, gases o polvo. Las herramientas eléctricas generan chispas que pueden encender el polvo o vapores combustibles.

c) Mantenga alejados a los niños y transeúntes mientras maneja una herramienta eléctrica. Las distracciones pueden ocasionar que usted pierda el control.

2) Seguridad eléctrica

a) Los enchufes de la herramienta eléctrica deben coincidir con el tomacorriente. Deningunamaneira, nunca modifique el enchufe. No utilice ningún enchufe adaptador con herramientas eléctricas conectadas a tierra. Los enchufes no modificados y los tomacorrientes coincidentes reducirán el riesgo de descarga eléctrica.

b) Evite el contacto corporal con superficies conectadas a tierra, tales como tuberías, radiadores, estufas y refrigeradores. Existe un mayor riesgo de descarga eléctrica si su cuerpo está conectado a tierra.

c) No exponga las herramientas eléctricas a la lluvia o a condiciones húmedas. El agua que penetra en una herramienta aumentará el riesgo de descarga eléctrica.

d) No abuse del cable. Nunca use el cable para transportar, tirar o desenchufar la herramienta eléctrica. Mantenga el cable alejado del calor, aceite, bordes afilados o partes móviles. Los cables dañados

o enredados aumentan el riesgo de descarga eléctrica.

e) Cuando utilice una herramienta eléctrica al aire libre, utilice un cable adecuado para su uso en exteriores.

El uso de un cable adecuado para uso en exteriores reduce el riesgo de descarga eléctrica.

f) Si el uso de herramientas eléctricas en una ubicación húmeda es inevitable, utilice un Dispositivo de Corriente Digital (DCD). El uso de DCD reduce el riesgo de descarga eléctrica.

3) Seguridad Personal

a) Manténgase alerta, observe lo que está haciendo y use el sentido común al usar una herramienta eléctrica. No use una herramienta eléctrica mientras está agotado o bajo la influencia de drogas, alcohol o medicamentos. Un momento de distracción mientras se operan herramientas eléctricas puede resultar en lesiones personales graves.

b) Use equipo de seguridad personal. Siempre use protección ocular. Los equipos de protección, tales como máscaras contra el polvo, zapatos de seguridad antideslizantes, casco o protector auditivo, utilizados en condiciones apropiadas, reducirán las lesiones personales.

c) Evitar el arranque involuntario. Asegúrese de que el interruptor esté en posición de apagado antes de conectar la fuente de alimentación

y/o batería, así como al recoger o transportar las herramientas. Llevar las herramientas eléctricas con el dedo en el interruptor o energizar las herramientas que tienen el interruptor activado provoca accidentes.

d) Retire cualquier llave de ajuste o llave inglesa antes de encender la herramienta eléctrica. Una llave inglesa o una llave de ajuste unida a una parte giratoria de la herramienta eléctrica puede resultar en lesiones personales.

e) No se extralimite. Mantenga la postura y el equilibrio en todo momento. Esto permite un mejor control de la herramienta eléctrica en situaciones inesperadas.

f) Vístase apropiadamente. No use ropa suelta o joyas. Mantenga el cabello, la ropa y los guantes alejados de las partes móviles. La ropa floja, la joyería o el pelo largo pueden quedar atrapados en las partes móviles.

g) Asegúrese que los dispositivos previstos para la extracción de polvo y las instalaciones de acumulación están conectados y utilizados correctamente. El uso de estos dispositivos puede reducir los riesgos relacionados con el polvo.

4) Uso y cuidado de la herramienta eléctrica

a) No forzar la herramienta eléctrica. Utilice la herramienta adecuada para cada aplicación. La herramienta eléctrica correcta hará el trabajo mejor y más seguro, a la

velocidad para la cual fue diseñada.

b) No utilice la herramienta eléctrica si el interruptor no la enciende ni apaga. Cualquier herramienta eléctrica que no pueda ser controlada con el interruptor es peligrosa y debe de inmediato ser retirada para reparación.

c) Desconecte el enchufe de la fuente de alimentación antes de realizar cualquier ajuste, cambio de accesorios o almacenamiento de herramientas eléctricas. Estas medidas preventivas de seguridad, reducen el riesgo de arrancar la herramienta accidentalmente.

d) Almacene las herramientas eléctricas inactivas fuera del alcance de los niños y no permita que las personas que no estén familiarizadas con la herramienta eléctrica o estas instrucciones, utilicen la herramienta eléctrica. Las herramientas eléctricas son peligrosas en manos de personal no adiestrado.

e) Mantenga las herramientas eléctricas. Compruebe la desalineación o el atascamiento de las piezas móviles, la rotura de piezas y cualquier otra condición que pueda afectar el funcionamiento de las herramientas eléctricas. Si están averiadas hágalas reparar antes de usarlas. Muchos accidentes son causados por herramientas mal mantenidas.

f) Mantenga las herramientas de corte bien afiladas y limpias.

Las herramientas de corte adecuadamente mantenidas con bordes de corte afilados son menos propensos a trabarse y son más fáciles de controlar.

g) Utilice la herramienta eléctrica, accesorios, brocas, etc. de acuerdo con estas instrucciones y de la manera indicada para el tipo de herramienta eléctrica, teniendo en cuenta las condiciones de trabajo y el trabajo mismo a ser realizado. El uso de la herramienta eléctrica para operaciones diferentes a las previstas podría resultar en una operación peligrosa.

5) Servicio

Haga que su herramienta eléctrica sea reparada por un técnico calificado, usando solamente piezas de repuesto originales. Esto asegurará que se mantenga la seguridad de la herramienta eléctrica.

Advertencias de seguridad comunes para esmeriladora angular:

a) Esta herramienta está diseñada para funcionar como Esmeriladora/Amoladora. Lea todas las advertencias de Seguridad, instrucciones, ilustraciones y especificaciones proporcionadas con esta herramienta eléctrica. El no cumplir con todas las instrucciones que se indican a continuación puede provocar descargas eléctricas, incendio y/o lesiones graves.

b) Operaciones tales como el pulido no se recomiendan realizar con esta herramienta eléctrica. Las operaciones para las que la herramienta eléctrica no fue diseñada pueden crear un riesgo y causar lesiones personales.

c) No utilice accesorios que no estén específicamente diseñados y recomendados por el fabricante de la herramienta. El hecho de que el accesorio se pueda conectar a la herramienta eléctrica no garantiza una operación segura.

d) La velocidad nominal del accesorio debe ser al menos igual a la velocidad máxima marcada sobre la herramienta eléctrica. Los accesorios que funcionan más rápido que su velocidad nominal se pueden romper y volar en fracciones.

e) El diámetro exterior y el espesor de sus accesorios deben estar dentro de la capacidad nominal de su herramienta eléctrica. Los accesorios de tamaño incorrecto no pueden ser adecuadamente protegidos y controlados.

f) El montaje roscado de los accesorios debe coincidir con la rosca del eje de la esmeriladora. Los accesorios que no coinciden con el cuerpo físico de montaje de la herramienta eléctrica se desequilibrarán, vibrarán excesivamente y pueden causar pérdida de control.

g) No utilice un accesorio dañado. Antes de cada uso, inspeccione

los accesorios, tales como discos abrasivos para virutas y grietas, almohadillas de respaldo para grietas, rotura o desgaste excesivo, así como cepillo de alambre suelto o agrietado. Si se deja caer la herramienta eléctrica o el accesorio, inspeccione si hay daños o instale un accesorio no averiado. Después de inspeccionar e instalar un accesorio, sitúese usted mismo y las personas transeúntes, lejos del accesorio giratorio y haga funcionar la herramienta eléctrica a la máxima velocidad sin carga durante un minuto. Los accesorios dañados se romperán normalmente durante ese tiempo de prueba.

h) Uso de equipo de protección personal. Dependiendo de la aplicación utilice un protector facial o gafas de seguridad. Según sea apropiado, utilice protectores contra el polvo, protecciones para los oídos, guantes y delantal capaces de detener fragmentos pequeños de abrasivos o piezas de trabajo. La protección ocular debe ser capaz de detener los desechos voladores generados por diversas operaciones. La máscara contra el polvo o el respirador deben ser capaces de filtrar las partículas generadas por su operación. La exposición prolongada a ruidos de alta intensidad puede causar pérdida auditiva.

i) Mantenga a los transeúntes a una distancia segura del área de trabajo. Cualquier persona que entre al área de trabajo debe usar equipo de protección personal.

Los fragmentos de la pieza de trabajo o de un accesorio roto puede volar y causar lesiones más allá del área de operación inmediata.

j) Sujete la herramienta eléctrica únicamente por las superficies de agarre aisladas , cuando se realice una operación en que el accesorio de corte pueda tocar cables eléctricos ocultos o su propio cable. El accesorio de corte que esté en contacto con un alambre “en vivo” puede hacer que las partes metálicas expuestas de la herramienta eléctrica estén activas e impacten al operador.

k) Coloque el cordón libre del accesorio giratorio. Si pierde el control, el cable se puede cortar o enredarse y su mano o brazo puede ser afectado por el accesorio giratorio.

l) Nunca coloque la herramienta hacia abajo hasta que el accesorio se halle detenido completamente. El accesorio giratorio puede adherirse a la superficie y tirar de la herramienta eléctrica fuera de control.

m) No haga funcionar la herramienta eléctrica mientras se transporta en su costado. El contacto accidental con el accesorio giratorio puede enganchar su ropa tirando el accesorio hacia su cuerpo.

n) Limpie regularmente los orificios de ventilación de las herramientas eléctricas. El ventilador del motor extraerá el polvo dentro de la carcasa y la acumulación

excesiva de polvo metálico puede causar riesgos eléctricos.

o) No opere la herramienta eléctrica cerca a materiales inflamables. Las chispas podrían encender estos materiales.

p) No utilice accesorios que requieran líquidos refrigerantes. El uso de agua u otros líquidos refrigerantes pueden generar electrocución o impacto.

Contragolpe y advertencias relacionadas

Contragolpe es una reacción súbita debido a un aprisionamiento o enganche del disco giratorio de respaldo, cepillo o cualquier otro accesorio.

El aprisionamiento o enganche provoca un rápido bloqueo del accesorio giratorio que, a su vez, provoca que la herramienta no controlada sea forzada en la dirección opuesta a la rotación del accesorio en el punto de atascamiento.

Por ejemplo, si un disco abrasivo es atrapado o aprisionado por la pieza de trabajo, el borde del disco que está penetrado en el punto de bloqueo puede penetrar en la superficie del material haciendo que el disco salte o sea expulsado hacia afuera. El disco puede saltar hacia afuera o hacia el operador, dependiendo de la dirección del movimiento del disco en el punto de bloqueo. Los discos abrasivos también pueden romperse bajo estas condiciones.

El contragolpe es el resultado de un mal uso de la herramienta eléctrica y/o procedimientos o condiciones de funcionamiento incorrectos y se pueden evitar tomando las precauciones apropiadas que se indican a continuación:

a) Mantenga firme el agarre de la herramienta eléctrica y posicione su cuerpo y brazo para permitirle resistir la fuerza del contragolpe. Utilice siempre un mango auxiliar, si se proporciona, para tener un control máximo sobre el contragolpe o la reacción durante la puesta en marcha. El operador puede controlar las reacciones o las fuerzas de contragolpe, si se toman las precauciones adecuadas.

b) Nunca coloque la mano cerca del accesorio giratorio. El accesorio puede reaccionar violentamente sobre su mano.

c) No coloque su cuerpo en el área donde se moverá la herramienta eléctrica si se produce un contragolpe. El contragolpe impulsará la herramienta en la dirección opuesta al movimiento del disco en el punto de enganche.

d) Tenga especial cuidado cuando trabaje esquinas o bordes afilados, etc. Evite rebotar y enganchar el accesorio. Las esquinas tienen una tendencia a enganchar el accesorio giratorio y causar pérdida de control y contragolpe.

e) No fije una hoja de sierra dentada. Estas cuchillas crean

contragolpes frecuentes y pérdida de control.

Advertencias de Seguridad Específicas para Operaciones de Esmerilado y Corte

a) Utilice solo tipos de discos recomendados para su herramienta eléctrica y el protector específico para el disco seleccionado. Los discos para los cuales la herramienta eléctrica no fue diseñada no pueden ser adecuadamente protegidos y son inseguros.

b) La superficie de esmerilar de los discos centro deprimido deben montarse bajo el plano del borde de la guarda de protección. Un disco mal montado que sobresale a través del plano del borde de la guarda protectora no puede estar adecuadamente protegido.

c) La guarda debe estar bien sujeta a la herramienta eléctrica y posicionada para una máxima seguridad, por lo que la menor cantidad de disco está expuesto hacia el operador. La guarda ayuda a proteger al operador de fragmentos de discos rotos, el contacto accidental con el disco y las chispas que podrían encender la ropa.

d) Los discos deben ser utilizadas únicamente para las aplicaciones recomendadas. Por ejemplo: No esmerilar con la cara de corte del disco. El abrasivo sirve para esmerilado periférico, las fuerzas laterales aplicadas a estos discos

pueden hacer que se rompan.

e) Siempre use tuercas de disco no dañadas, que tengan el tamaño y la forma correctos para el disco seleccionado. Las bridas adecuadas soportan el disco, reduciendo así la posibilidad de rotura del disco. Las tuercas para los discos de corte pueden ser diferentes de las tuercas de esmerilar.

f) No use discos desgastados de las herramientas eléctricas de mayor tamaño. El disco diseñado para herramientas eléctricas más grandes no son adecuados para la mayor velocidad de una herramienta más pequeña y puede estallar.

3. Normas específicas de seguridad

-Comprobar que la velocidad marcada en el disco sea igual o superior a la velocidad nominal de la Esmeriladora.

-Asegúrese de que las dimensiones del disco sean compatibles con la Esmeriladora.

-Los discos abrasivos se deben almacenar y manejar con cuidado de acuerdo con las instrucciones del fabricante.

-Inspeccione el disco esmerilador antes de usarlo, no utilice productos astillados, agrietados o defectuosos.

-Asegúrese que los discos y los puntos estén montados de acuerdo con las instrucciones del fabricante.

-Asegúrese de que el papel secante

se utilice, cuando sea requerido, cuando se suministran con el producto abrasivo adherido.

-Asegurar que el producto abrasivo está correctamente montado y apretado antes de usar y poner en movimiento la herramienta sin carga durante 30 seg. En una posición segura, deténgase inmediatamente si hay vibración considerable o si se detectan otros defectos. Si se produce esta condición, revise la máquina hasta determinar la causa.

-No utilice casquillos o acopladores reductores separados para adaptar los discos abrasivos de grandes orificios.

-Para las herramientas destinadas a ser equipadas con un disco de agujero roscado, asegúrese de que la rosca del disco es lo suficientemente larga para aceptar la longitud del eje.

-Compruebe que la pieza de trabajo esté bien sujeta.

-No utilice el disco de corte para pulido lateral.

-Asegúrese de que las chispas resultantes del uso no generen peligro, por ejemplo, no impactar a personas, ni encender sustancias inflamables.

-Asegúrese de que las aberturas de ventilación se mantengan limpias cuando se trabaja en condiciones industriales. Si fuera necesario limpiar el polvo, primero desconecte la herramienta de la red eléctrica

(use objetos no metálicos) y evite dañar partes internas.

-Siempre use protección para ojos y oídos. Se deben usar otros equipos de protección personal como máscaras anti polvo, guantes, casco y delantal.

-El disco continua girando después de apagar la herramienta.

-No utilice nunca la herramienta sin la guarda en su lugar, la guarda debe montarse en la herramienta para que el lado cerrado de la guarda siempre apunte hacia el operario.

4. Protección Ambiental



¡PRECAUCIÓN! Este producto ha sido marcado con un símbolo relacionado con la eliminación de desechos eléctricos y electrónicos. Esto significa que este producto no debe ser desechado con los residuos domésticos, sino que debe ser devuelto a un sistema de recogida que se ajuste a la Directiva Europea de RAEE. Póngase en contacto con las autoridades locales para aconsejar el reciclaje. Se reciclarán o se desmantelarán para reducir el impacto sobre el medio ambiente. Los equipos eléctricos y electrónicos pueden ser peligrosos para el medio ambiente y para la salud humana, ya que contienen sustancias peligrosas.

5. Especificaciones de la herramienta

ESPECIFICACIONES TÉCNICAS	
Voltaje/ Frecuencia	120V / 60Hz
Potencia	750W
Velocidad	11000rpm
Cable	2m
Peso	2kg
Diámetro del disco	4 ½”(115mm)

El valor total de vibración declarado se ha medido de acuerdo con un método de ensayo estándar y puede utilizarse para comparar una herramienta con otra.

El valor total de la vibración declarada también puede utilizarse en una evaluación preliminar de la exposición.

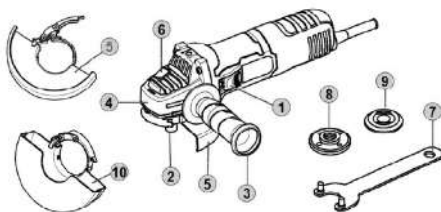
¡Advertencia! La emisión de vibraciones durante el uso real de la herramienta eléctrica puede diferir del valor total declarado dependiendo de las formas en que se utilice la herramienta.

¡Advertencia! Como evitar el riesgo de vibraciones.

Sugerencias:

- 1) Usar guantes durante la operación.
- 2) Limitar el tiempo de funcionamiento y acortar el tiempo de uso.

6. Operación / Montaje



1. Interruptor
2. Eje de accionamiento
3. Mango lateral
4. Caja de cambios
5. Cubierta Protectora (esmerilador)
6. Botón de Bloqueo
7. Llave
8. Tuerca externa con rosca
9. Tuerca interna
10. Cubierta protectora (Corte)

Montaje de mango lateral

El mango lateral (3) puede atornillarse en el agujero a la izquierda, derecha o arriba de la caja de cambios (4). Seleccione la posición que le da el uso más cómodo y seguro.

PRECAUCIÓN: Siempre asegúrese de que el mango lateral esté bien instalado antes de la operación.

Durante el funcionamiento, mantener una mano en el mango trasero y la otra en el mango lateral.

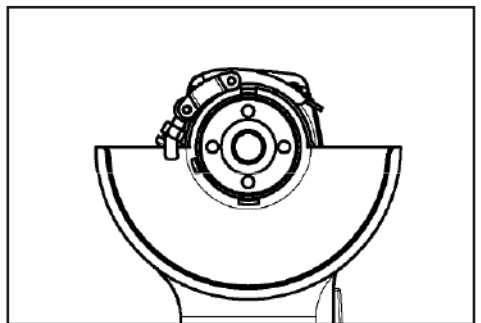
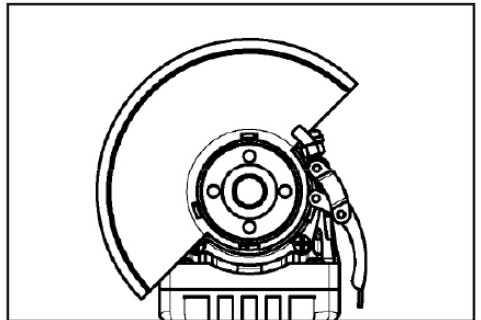
Instalar o mover la cubierta protectora.

ADVERTENCIA: Asegúrese de que la Esmeriladora Angular esté apagada y desconectada de la red eléctrica.

Dependiendo de si su operación es de corte o de esmerilado, seleccione la guarda protectora correcta. Si no usa la guarda correcta para operar podría causar lesiones. Cuando utilice un disco de esmerilar o cortar, la protección debe montarse en la herramienta de manera que el lado cerrado de la tapa apunte siempre hacia el operario del equipo.

Instale el protector: suelte la palanca

de bloqueo del protector e insértelo en el cabezal del engranaje y gírelo/ajuste en cualquier posición deseada para obtener el máximo rendimiento, luego cierre la palanca de bloqueo. Asegúrese de que la palanca de fijación esté bloqueada correctamente después de ajustar la protección. Para retirar la guarda protectora, siga el procedimiento de protección a la inversa. La guarda protectora se puede girar en un ángulo deseado, pero no más de 45° en el lado izquierdo o derecho.



PRECAUCIÓN:

Por favor utilice la guarda de protección de esmerilado para la operación de esmerilado.

Por favor utilice la guarda de protección de corte para la operación de corte.

Esmerilado y Tratamiento Superficial

Con el fin de esmerilar la superficie, debe utilizar un disco abrasivo grueso con centro hundido. Usted puede utilizar los discos abrasivos con un diámetro de 115mm. El espesor máximo es de 6mm.

Corte de metal

Con el fin de cortar varillas, tubos y piezas de metal debe utilizar un corte con discos con un diámetro de 115mm. El espesor máximo de los discos en este caso es de 3mm.

Corte de Material de Piedra

Al cortar material de piedra, usted debe utilizar los discos de corte con diámetro de 115mm, el espesor máximo en este caso es de 3mm.

Utilice los discos adecuados para trabajar. Si no se usa la cubierta derecha para el funcionamiento podría resultar lesionado.

¡ADVERTENCIA! Las operaciones de corte con discos de corte abrasivos sólo se permiten cuando hay un protector de corte.

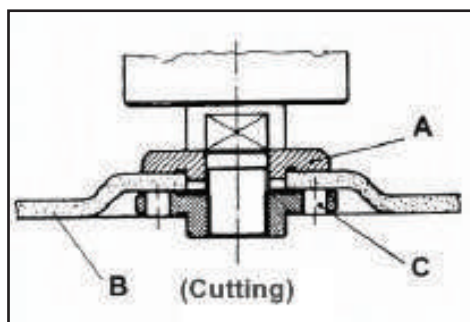
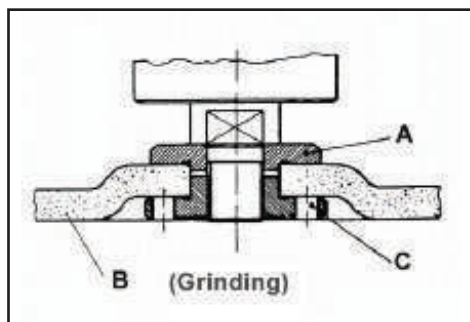
Siempre enfoque el trabajo en el mismo ángulo durante el corte y no ejerza ninguna presión lateral sobre el disco.

Montaje de los Discos

Coloque la tuerca trasera A sobre el eje, asegurándose que encaja con el tornillo. Coloque el disco de corte o de esmerilar B en la parte superior de la tuerca trasera, asegurándose que encaje en el reborde de la tuerca.

Monte el lado cóncavo de la tuerca externa C sobre el eje. Presione el botón de bloque del eje para bloquear firmemente el eje, luego apriete la tuerca externa con la llave en sentido de las agujas del reloj.

Permita que el esmeril de ángulo funcione libre al menos 1 minuto con el disco de esmeril o de corte correctamente montado, si presenta vibración el disco debe ser reemplazado inmediatamente.



Instrucciones de uso/ Ilustraciones

Interruptor ON/OFF

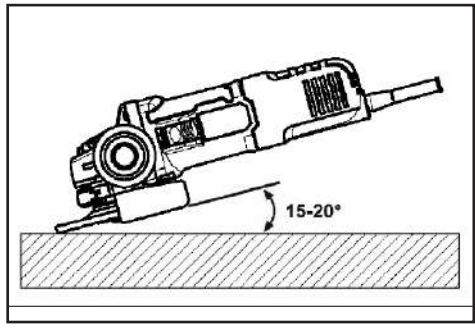
Interruptor ON: Presione el interruptor principal hacia adelante para encender la máquina. A continuación, presione el interruptor

principal para bloquearlo en posición para un funcionamiento continuo. Interruptor OFF: Pulse el interruptor principal en el extremo trasero para liberar el bloqueo y apagar la máquina.

¡ADVERTENCIA! No cubra las rejillas de ventilación cuando la herramienta esté en uso. Esto puede dañar el motor y reducir la eficiencia de la herramienta.

Operación Abrasiva

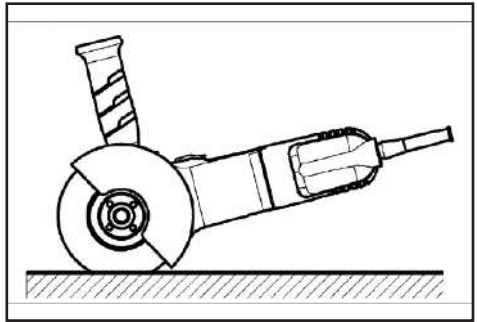
Cuando esté equipado con un disco abrasivo y un protector, para obtener los mejores resultados de trabajo, sujete el esmerilador de 15° a 20° a la pieza de trabajo.



Operación de Corte

Cuando esté equipado con el disco de corte y el protector, sostenga el esmeril en 90° a la pieza de trabajo para obtener los mejores resultados de trabajo.

Guíe hacia adelante y hacia atrás sobre la pieza de trabajo en un movimiento constante.



Sobrecarga

El motor de su esmeriladora de ángulo recto puede dañarse cuando se sobrecarga. Esto resulta de una presión de trabajo excesiva durante un tiempo prolongado. Por lo tanto, no debe tratar de acelerar su velocidad de trabajo aumentando la presión de su máquina. Los discos abrasivos funcionan de manera más eficaz si se ejerce solo una ligera presión sobre la máquina esmeriladora, evitando así una caída en la velocidad de esmerilado.

7. Mantenimiento / Limpieza

Antes de efectuar una inspección o mantenimiento al equipo, asegúrese que esté apagado y desenchufado. Si las escobillas de carbón deben ser reemplazadas, la labor debe ser efectuada por una persona calificada en reparación. Siempre reemplace las dos escobillas al mismo tiempo.

Si el cable de alimentación está dañado, para evitar riesgos, debe ser sustituido por el fabricante, su agente autorizado de servicio o personal comprobadamente calificado.

La herramienta y sus respiraderos deben mantenerse limpios.

Limpie regularmente las rejillas de ventilación de la herramienta o cuando las rejillas empiecen a obstruirse.

8. Almacenamiento

Almacene el disco de esmerilado en un lugar seco. Inspeccione regularmente el disco de esmerilado, asegúrese de que siempre esté libre de grietas y defectos de superficie. Reemplace el disco de esmerilado cuando se haya desgastado.

9. Compruebe las piezas entregadas

- 1 Esmerilador Angular
- 1 Mango lateral
- 1 Cubierta protectora de Corte
- 1 Cubierta protectora de esmerilado
- 1 Llave

10. Garantía

1. **PROMAKER®**, mediante su garantía **PX2** para herramientas eléctricas consta de las siguientes características:

- Cubre los productos durante **2 años** a partir de la fecha de compra contra cualquier defecto en su funcionamiento, por fallas en los materiales o mano de obra empleada en su fabricación.
- Ofrece **2 años** de servicio de mantenimiento y mano de obra gratuita para cambio de consumibles.
- Otorga un periodo de prueba de **2 meses** donde puede canjear la herramienta por una de mayor capacidad si el rendimiento no cumple con su requerimiento, abonando la diferencia del precio.
- Todos los atributos ofrecidos

por la garantía son válidos presentando la factura de compra original.

2. Para el servicio de garantía, por favor póngase en contacto con el Centro de Servicio Autorizado, Presente la tarjeta de garantía y la factura original para el servicio de garantía.

3. La presente Garantía NO aplica en:

- Daños por transporte después de las ventas.
- Servicios no proporcionados por nuestros centros de servicio autorizado.
- Accesorios y piezas de repuesto, si los hay, incluidos en el embalaje (Paquete).
- El daño producido por el uso comercial o industrial, ya que este producto es pensado solo para uso en Hágalo usted mismo (DIY).

11. EC Declaración de Conformidad

Declaramos que la máquina descrita a continuación cumple con las Directrices básicas de seguridad pertinentes, tanto en su diseño básico como en su construcción, así como en la versión puesta en circulación por nosotros. Esta declaración dejará de ser válida si la máquina se modifica sin nuestra previa aprobación.

Producto: Esmerilador Angular

Modelo Tipo: PRO-ES750KIT



www.promakertools.com